

GRADALL[®]

XL 3310 V

STEEL MILL MAINTENANCE



SPECIFICATIONS

Engine

- Volvo TAD581VE, Stage 5, 5.1L diesel with SCR and DPF + DOC and uncooled EGR
- Gross Rating:** 172 hp @ 2000 rpm (128kW)
590 lb-ft @ 1100-1500 rpm (800Nm)
- Net Rating:** 152 hp @ 2000 rpm (113kW)
- Four cycle, inline four cylinder, liquid cooled
- Variable viscous fan clutch system
- Vertical stacked hydraulic oil cooler, charge air cooler and radiator
- Vertical canister style lube filter attached to engine
- Vertical canister style main fuel filter and fuel/water separation with manual feed pump attached to engine
- Water in fuel indicator and alarm
- Block heater

- Maximum slope:** 30°
- 24 volt starter
- 100 amp alternator
- Two SAE #C31-S 1000 CCA batteries
- Two-stage dry type air cleaner with centrifugal pre-cleaner and safety element
- Vacuumer valve and service indicator

Fuel tank capacity: 82 gallons (310 L)

Operator Cab

- All-weather cab
- Tinted safety glass windows
- Acoustical lining
- Four-way adjustable seat
- AM/FM radio
- Filtered fresh air heater
- Defroster
- Air conditioner
- Front window has heat resistant glass
- Rearview mirrors on right and left sides
- Seat belt
- Swing lights

Controls

- Two electronic joysticks (hoist and bucket, telescope and swing)
- One rocker switch (tilt) control
- Joysticks mounted on arm pods
- Quick change joystick pattern switch located on instrument panel
- Self-centering joysticks; when controls are released, power for movement disengages and swing and tilt brake set automatically

- Tilting/telescoping steering column
- Hydraulic foot pedal controls braking functions
- Travel speed is regulated with an electronic foot pedal control
- Switch on the FWD/REV selector provides 1st/2nd gear selection
- Independent rocker switches control stabilizers, axle oscillation, park brake and hazard lights

Engine Controls and Instrumentation

- Key operated ignition/starter switch, throttle and main battery disconnect switch
- Air cleaner condition indicator
- Electronic monitor indicates fuel level, low battery charge, lube oil pressure, high coolant temperature, engine rpm and engine hours
- Fuel saving auto idle feature sends engine rpm to idle when control circuits are in neutral for seven seconds

Boom

- Two piece triangular telescoping boom
- Adjustable boom rollers with eccentric shafts
- 360° continuous boom tilt
- 105° boom pivot angle
- Auxiliary hydraulics

Hydraulic System

Pumps

- One load-sensing, axial piston pump; oil flow 0-100 gpm (0-378 L/min)
- Tandem gear pump (steering, brake/pilot) 10 gpm (38 L/min), 6 gpm (23 L/min)

System Monitor

- Electronic monitor in cab indicates
 - Low hydraulic fluid level
 - High hydraulic fluid temperature
 - System working pressure
 - System pilot pressure

SYSTEM SPECIFICATIONS

Six Cylinders

- One tool: 5.0" ID, 3.0" rod (127 mm x 76 mm), 25.9" (658 mm) stroke
- Two hoist cylinders: 3.50" ID, 2.559" rod (89 mm x 65 mm), 31.0" (787 mm) stroke
- One telescope: 3.5" ID, 2.559" rod (89 mm x 65 mm), 11' (3.35 m) stroke
- Two single-acting axle oscillation cylinders: 4.528" ID, 4.528" rod (115 mm x 115 mm), 6.25" (159 mm) stroke

Three Hydraulic Motors

- Swing, 51 hp (38 kW)
- Tilt, 50 hp (37 kW)
- Propel motor, 113 hp (84 kW) each

Operating Pressures:

- Hoist..... 4,900 psi(331 BAR)
- Tilt 4,900 psi(331 BAR)
- Swing 3,000 psi(207 BAR)
- Tool 4,900 psi(331 BAR)
- Telescope 4,900 psi(331 BAR)
- Propel..... 4,900 psi(331 BAR)
- Pilot System 550 psi (38 BAR)
- Braking & Steering.... 2,400 psi(165 BAR)
- Blade & Stabilizers.... 4,000 psi(207 BAR)

Oil Capacity

- Reservoir system 65 gallons (246 L)
- Pressurized reservoir with visual oil level gauges

Filtration System

- 10 micron return filter
- 10 micron pilot filter
- Fin and tube-type oil cooler with thermal by-pass and relief valves
- Pressure-compensated, load-sensing valves with circuit reliefs in all circuits

Undercarriage

- Both axles are equipped with internal wet-disc type service brakes
- The steering axle is fitted with oscillation lock cylinders

Tires: 10 x 20 Super-Lug

Axles: ZF Model 3070 (FTF 2090)

Transmission: ZF Model HL 290

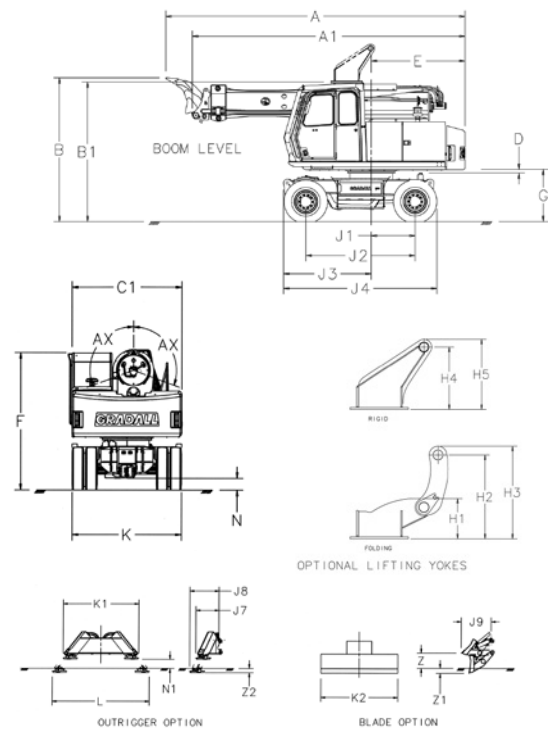
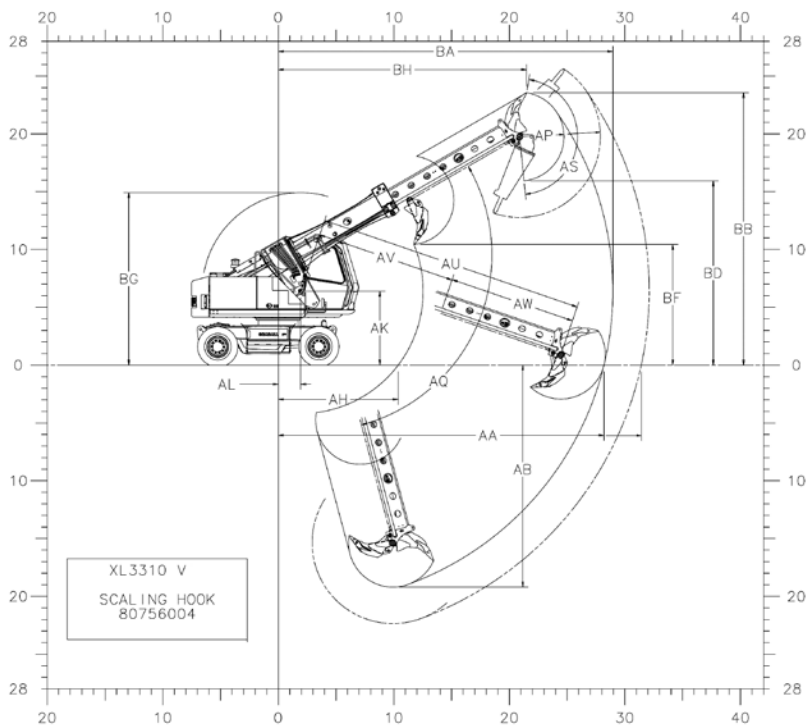
Drive Motor: Rexroth A6 Series, 160cc/Rev

Minimum Turning Radius: 25'1" (7.65 m)

- Variable displacement high torque piston motor powers the 2-speed power shift transmission
- Speed mode selection can also be done while moving
- Electronically operated travel alarm signals excavator movement

Travel speed on flat surface - MPH (kmh):

	Creep Mode	Standard Mode
First Gear	1.8 mph (2.9 kmh)	5.7 mph (9.2 kmh)
Second Gear	6.3 mph (10.1 kmh)	12 mph (19.3 kmh)



Dimensions

- | | | |
|---|---|--|
| <p>A Overall length with attachment open (Travel Position): 24'0" (7.3)</p> <p>A1 Overall length without attachment (Travel Position): 21'10" (6.7)</p> <p>B Overall height with attachment open (Travel Position): 11'6" (3.5)</p> <p>B1 Overall height without attachment (Travel Position): 11'2" (3.4)</p> <p>C1 Width of upperstructure: 9'0" (2.7)</p> <p>D Minimum clearance, upperstructure to undercarriage: 3" (78 mm)</p> <p>E Swing clearance, rear of upperstructure: 7'6" (2.3)</p> <p>F Top of cab guard to groundline: 11'1" (3.4)</p> <p>G Clearance, upperstructure to groundline: 4'2" (1.3)</p> <p>H1 Height of optional folding lift yoke lowered: 1'9" (0.5)</p> <p>H2 Height of pin of optional folding lift yoke: 3'7" (1.1)</p> <p>H3 Overall height of optional folding lift yoke: 4'0" (1.2)</p> <p>H4 Height to pin of optional rigid lift yoke: 2'8" (0.8)</p> <p>H5 Overall height of optional rigid lift yoke: 3'0" (0.9)</p> <p>J1 Axis of rotation to centerline of drive sprockets: 3'6" (1.1)</p> <p>J2 Wheelbase of undercarriage: 8'9" (2.7)</p> <p>J3 Axis of rotation to front of undercarriage: 7'0" (2.1)</p> <p>J4 Nominal overall length of undercarriage: 12'3" (3.7)</p> | <p>J5 Axis of rotation to front option attachment pin: 6'9" (2.1)</p> <p>J6 Axis of rotation to rear option attachment pin: 4'9" (1.4)</p> <p>J7 Outrigger length, attachment pin to pad in up position: 2'7" (0.8)</p> <p>J8 Outrigger length, attachment pin to pad in down position: 3'3" (1.0)</p> <p>J9 Blade length, attachment pin across blade in up position: 3'4" (1.0)</p> <p>K Overall width of undercarriage: 8'6" (2.6)</p> <p>K1 Overall width outrigger (up position): 8'4" (2.5)</p> <p>K2 Overall width blade: 8'6" (2.6)</p> <p>L Overall width outrigger (down position): 10'8" (3.3)</p> <p>N Ground clearance (per SAE J1234): 11" (275 mm)</p> <p>N1 Ground clearance (outrigger option): 12" (300 mm)</p> <p>Z Blade above ground (option): 1'8" (505 mm)</p> <p>Z1 Maximum lift of blade (option): 7'0" (166 mm)</p> <p>Z2 Maximum lift of outrigger (option): 6'0" (142 mm)</p> <p>AA Maximum radius at groundline (Scaling Hook): 28'2" (8.6)
Maximum radius at groundline (S-29 Hammer): 31'5" (9.6)</p> <p>AB Maximum depth: 19'2" (5.6)</p> | <p>AH Minimum radius at groundline: 10'5" (3.2)</p> <p>AK Boom pivot to groundline: 6'5" (2.0)</p> <p>AL Boom pivot to axis of rotation: 1'11" (585 mm)</p> <p>AP Attachment tooth radius (scaling hook): 3'10" (1.2)
Attachment bit radius (S-29 Hammer): 7'0" (2.1)</p> <p>AQ Boom pivot angle: 30° Up and 75° Down</p> <p>AS Attachment pivot angle: 165°</p> <p>AU Maximum telescoping boom length (boom pivot to attachment pivot): 23'1" (7.0)</p> <p>AV Minimum telescoping boom length (boom pivot to attachment pivot): 12'1" (3.7)</p> <p>AW Telescoping boom travel: 11'0" (3.4)</p> <p>AX Boom tilt angle (continuous): 360°</p> <p>BA Maximum radius of working equipment: 29'0" (8.8)</p> <p>BB Maximum height of working equipment: 23'7" (7.2)</p> <p>BD Minimum clearance of attachment with pivot at maximum height: 15'11" (4.9)</p> <p>BF Minimum clearance of attachment at maximum boom height: 10'5" (3.2)</p> <p>BG Maximum height of working equipment with attachment below groundline: 14'11" (4.5)</p> <p>BH Radius of attachment tooth at maximum height: 21'6" (6.6)</p> |
|---|---|--|

Specifications subject to change without notice.
Metric units are meters (m) unless noted.
Machines shown may have optional equipment.

It is Gradall Policy to continually improve its products. Therefore designs, materials and specifications are subject to change without notice and without incurring any liability on units already sold. Units shown may have optional equipment.

GRADALL®

406 Mill Ave. SW, New Philadelphia, Ohio 44663
Phone: 800-445-4752
www.Gradall.com



Form No. 11840 4/26
Printed in USA

Swing

- Priority swing circuit with axial piston motor
- Planetary transmission

Swing speed: 8.0 rpm

Swing Brake

- Automatic spring-set/hydraulic release wet-disc parking brake
- Dynamic braking is provided by the hydraulic system

Function Forces

Rated Boom Force: 22,075 lbs (98.2 kN)

Rated Ripper Tooth Force: 25,405 lbs (113 kN)

Boom Rotating Torque: 25,800 ft lb (34,980 Nm)

Boom Rotating Speed: 7.0 rpm

Weight

- Approximate working weight with 36" (914 mm) excavating bucket, fuel tank half full
- 42,294 lbs (19,184 kg)

Outriggers: 2,720 lbs (1,234 kg)

Blade: 1,480 lbs (671 kg)